

**300-112**  
**3 NAUTICAL MILES**  
**360° WHITE LIGHT**  
**SINGLE, HORIZONTALLY MOUNTED**

The LED light consists of a single array of LEDs that produces light in the specified angle.

The precision machined 6082 aluminium housing with an anodized surface makes the light a rugged and durable housing for the LEDs and electronics contained within.

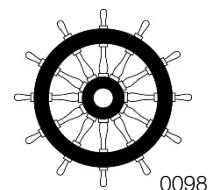
The interior is completely filled with a special potting resin making it water- and vibration proof.

Produced in our in-house manufacturing facility to meet and exceed exacting standards such as EN14744 and UL1104, under a quality management system continuously surveyed by Lloyds Register Quality Assurance.

Each light is subjected to final testing for a minimum of 16 hours of continuous operation bringing the total test time beyond 24 hours.

This navigation light is in compliance with the following standards:

- COLREG72
- EN14744
- IEC 60945
- USCG (UL1104)



Together with an appropriate Control & Monitoring System, such as Lopolight's own NLC\* this navigation light can form part of an IMO MSC 253(83), LY3 and LY4 compliant system.

\*) information found here: [www.lopolight.com/NlcPanel](http://www.lopolight.com/NlcPanel)

## Technical specifications

Vessel size: >50m (>164')

Visibility: >3 nautical miles

Intensity: >15 cd

Power consumption; 4,5 Watt; Current @ 12 VDC: 0,38A - Current @ 24 VDC: 0,17A

Operating voltage: 10 - 32 V DC

Number of LEDs: 28

Light colour: **White**

Operating temperature: -25°C to +55°C

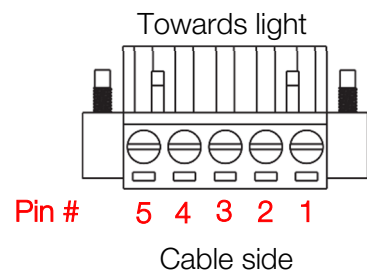
IP Rating: **IP68**

Mounting: **Horizontal**

Connection: 4 M20x1.5 thread borings for cable glands located on the side and bottom (see drawing for details).

Cabling: 1 cable consisting of 2 x 0,5 mm<sup>2</sup> leads, a screen and insulation.

- Pin 1 - Red lead = Power
- Pin 2 - Black lead = GND
- Pin 3 - No lead = Not used
- Pin 4 - No lead = Not used
- Pin 5 - No lead = Not used



Certification: The product is certified by Lloyds (LR) and certificates can be found on [www.lopolight.com](http://www.lopolight.com) under certificates.

The product is in compliance with the following standards:  
COLREG72/ EN14744 / IEC 60945 / USCG (UL1104)

Dimensions: **See drawing**

Weight: **0,9kg**

## Warranty:

Lopolight products are covered by a 5-year limited warranty.

Warranty conditions can be found on [www.lopolight.com/Home/Service](http://www.lopolight.com/Home/Service)

## Included in the standard package:

- 1 pc. Navigation light on 400-034 aluminium base
- 1 pc. HDPE base plate
- 1 pc. M20x1.5 cable gland (cable diameters 7 – 13mm)
- 3 pcs. M20x1.5 blinding caps
- 1 pc. 5-pin connector plug
- Installation instructions

## Ordering information

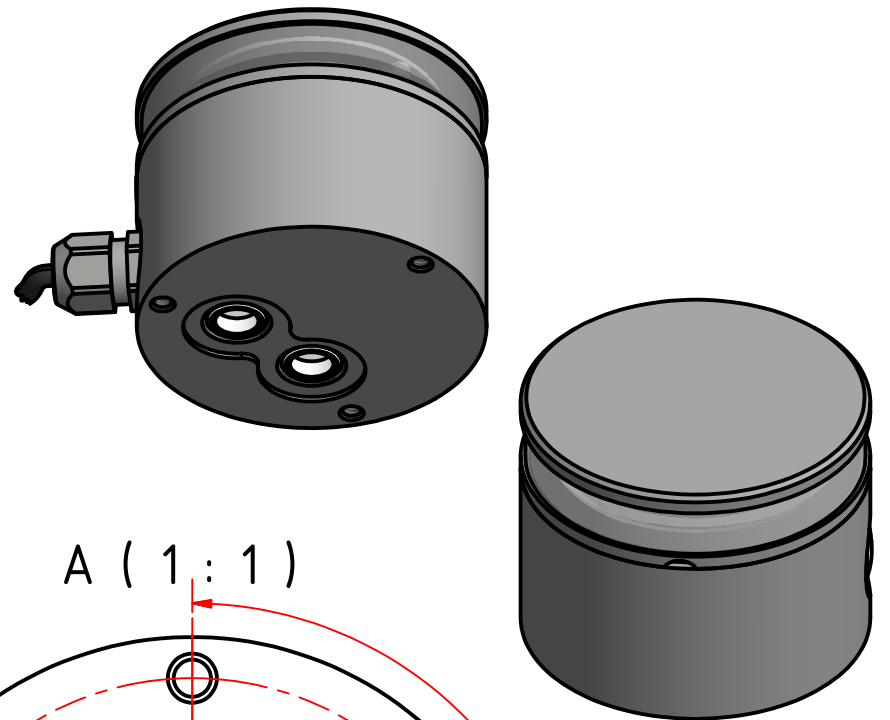
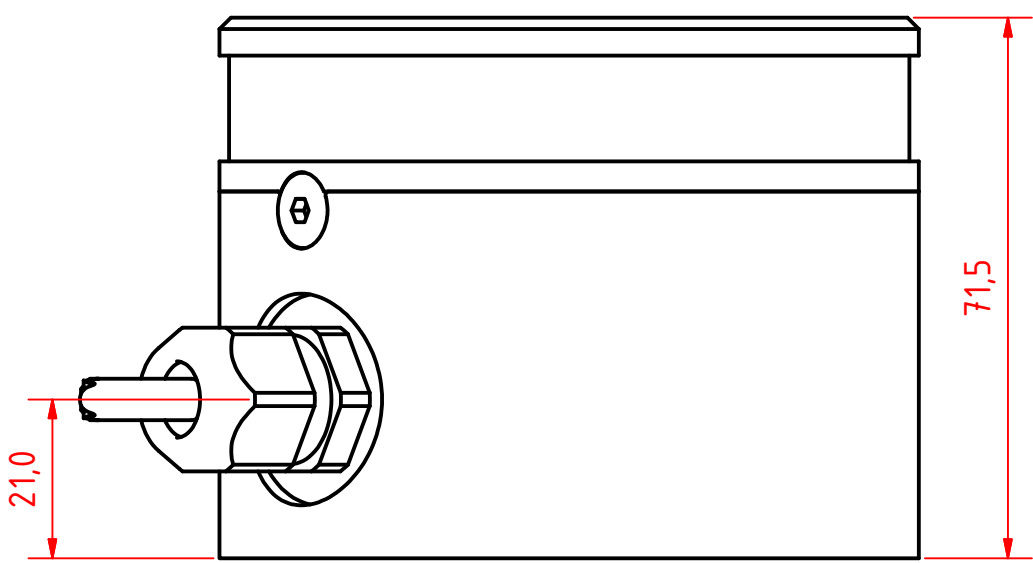
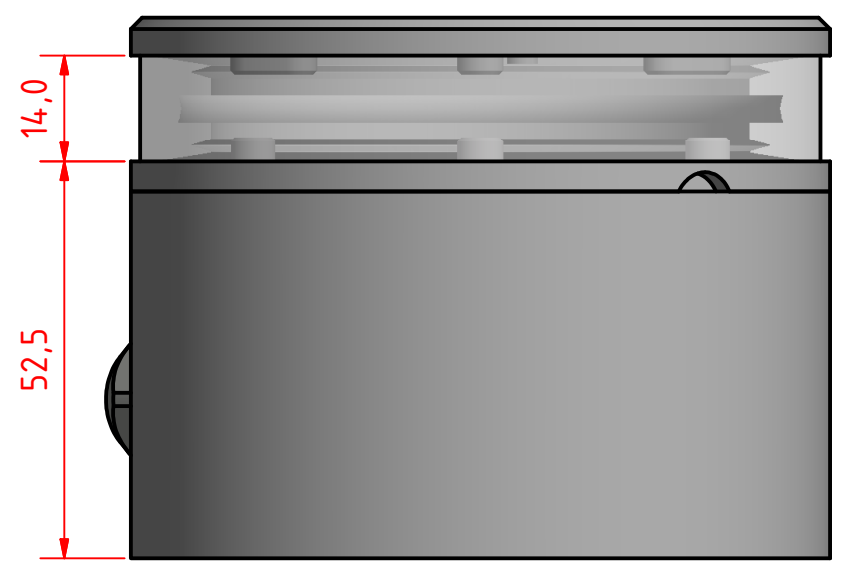
BASE OPTION	PART NUMBER SILVER FINISH	PART NUMBER BLACK FINISH
400-034 (drawing B -E) CSCD base	309-112	300-112-B
400-035 (drawing F - G) CD base	300-112-CD	300-112-B-CD

## Cabling options

Cable length	Part number
2m / 6.6' 2-lead cable with connector	400-300-2M
4m / 13.1' 2-lead cable with connector	400-300-4M
6m / 19.7' 2-lead cable with connector	400-300-6M
10m / 32.8' 2-lead cable with connector	400-300-10M
12m / 39.4' 2-lead cable with connector	400-300-12M
15m / 49.1' 2-lead cable with connector	400-300-15M
20m / 65.6' 2-lead cable with connector	400-300-20M

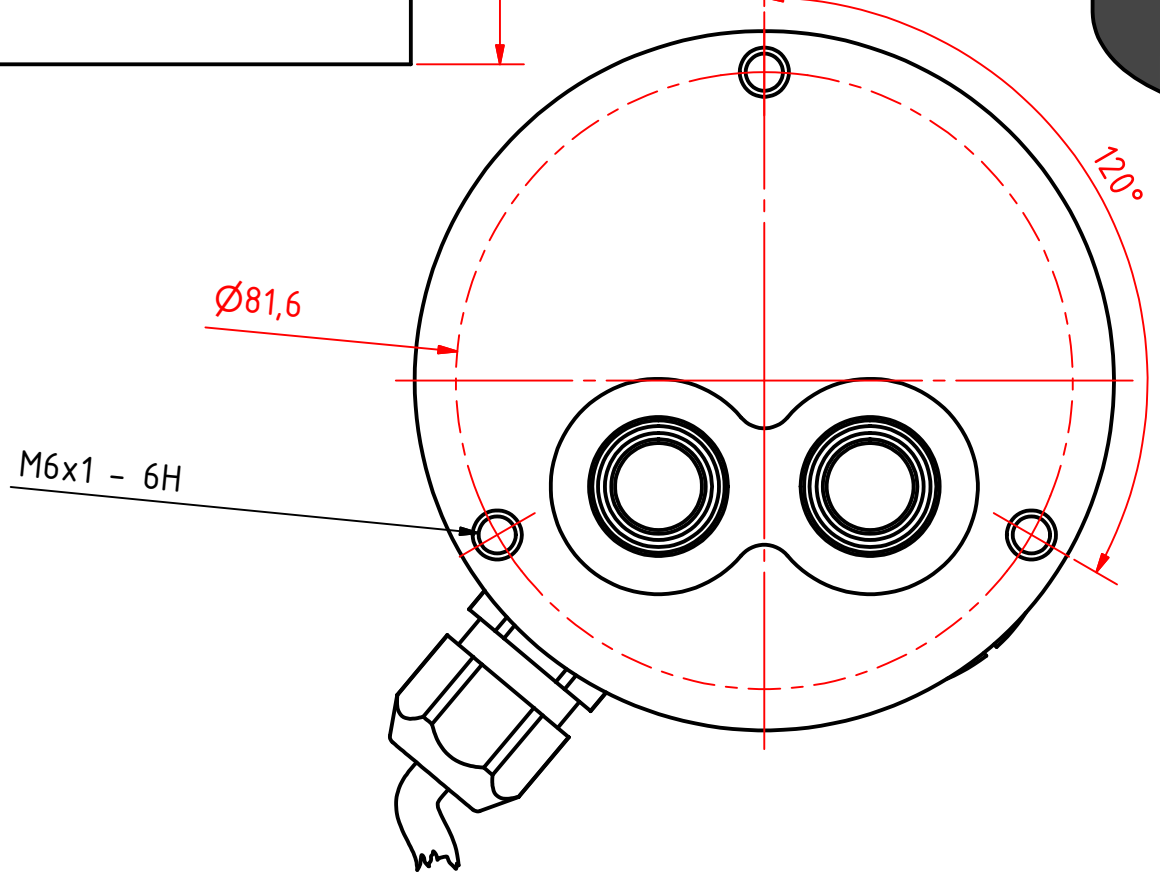
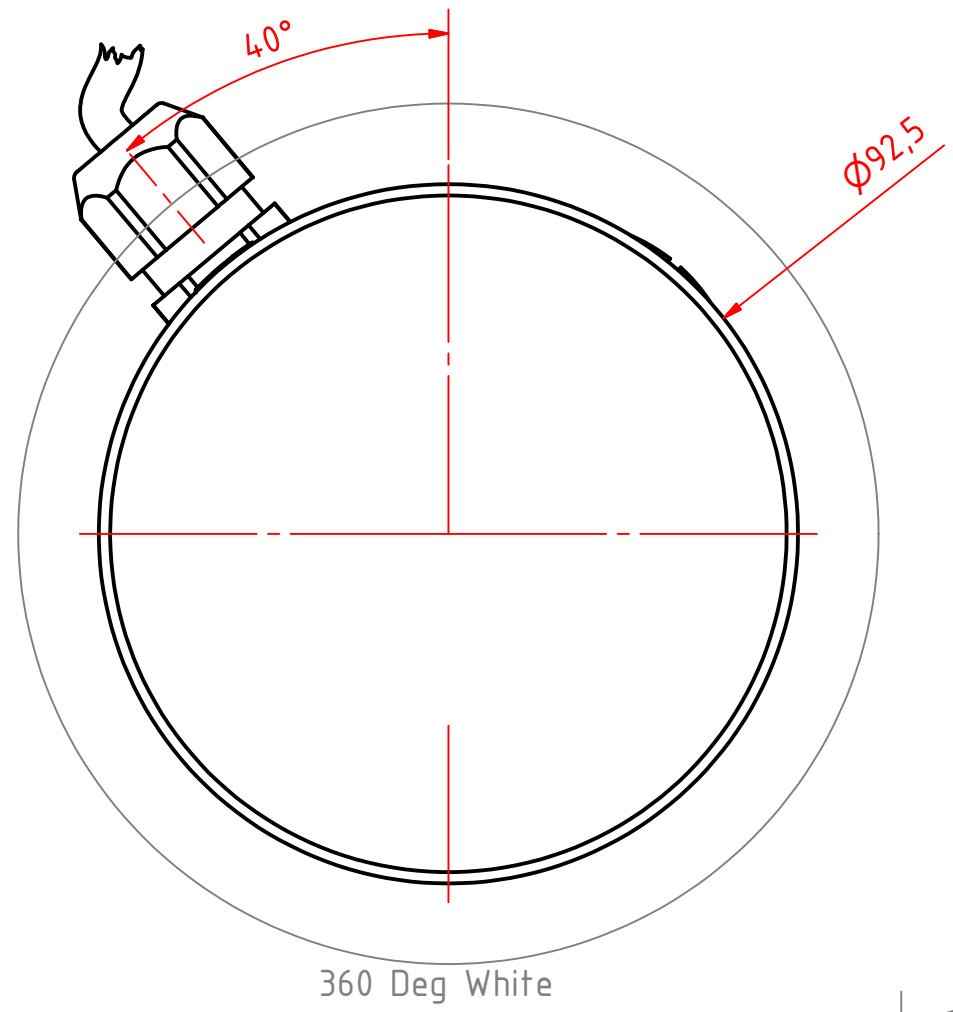
A B C D E F G H I J

1  
2  
3  
4  
5  
6  
7  
8



A ↑

A (1:1)



Rev1 19/04/2018 Corrections on the title blocks text.

300-112, 3nm, 360 Deg. White, 400-034  
Promount, Cable Side.

DRAWING NO.:	REV. NO.:	SIZE:	DRAWN BY:
300-112BF	1	A3	Sergio
SCALE:	TOLERANCES:	REVIEWED BY:	CREATION DATE:
1:1	DS/ISO 2768-f	JM	28-03-2017
MATERIAL DESCRIPTION:		(20µ) Silver anodized according to EN ISO 7599	
Alu EN 6082, Acrylic.		(50µ) Black anodized according to MIL-A 8625F	

**LOPOLIGHT**

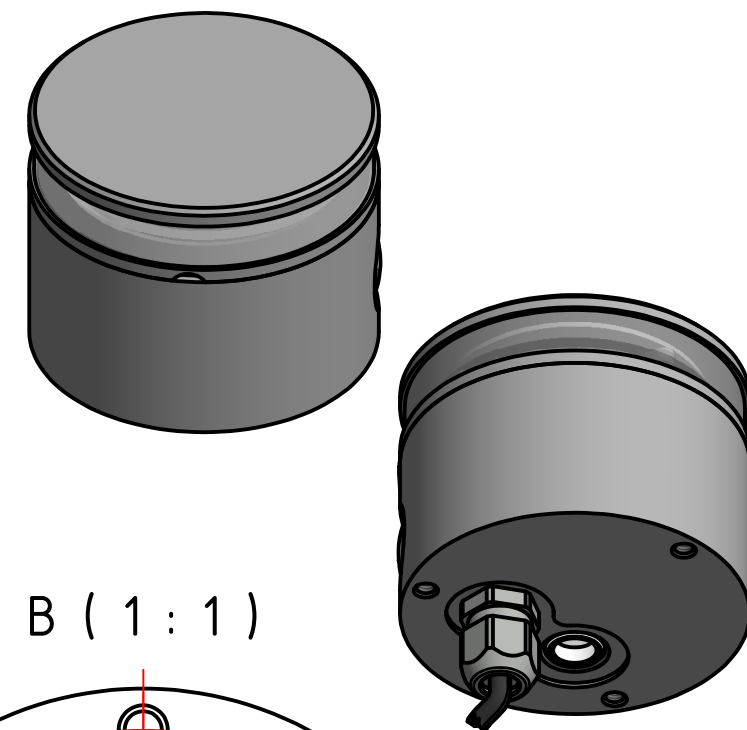
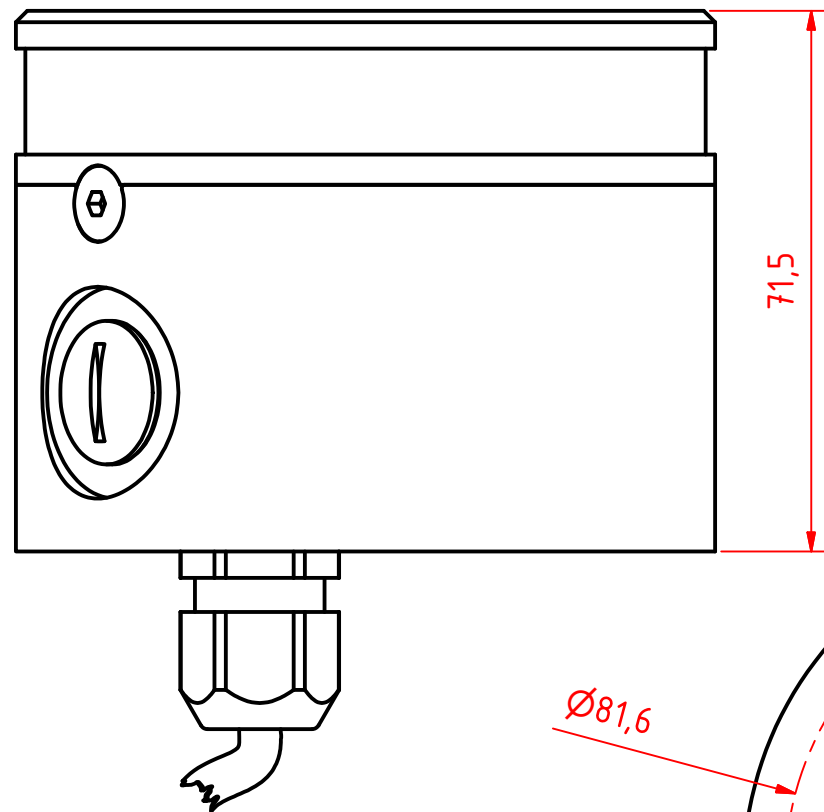
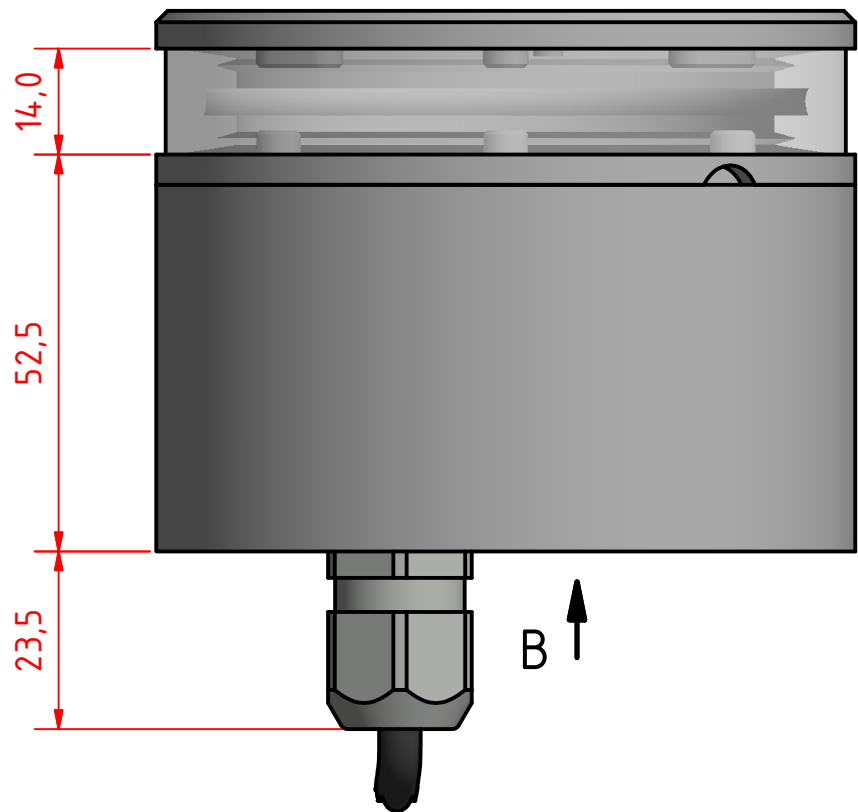
Lopolight ApS  
Bakkegaardsvej 513  
DK-3050, Humlebaek  
Denmark

Tel:(+45) 32 48 50 30 Fax:(+45) 32 48 50 32  
info@lopolight.com

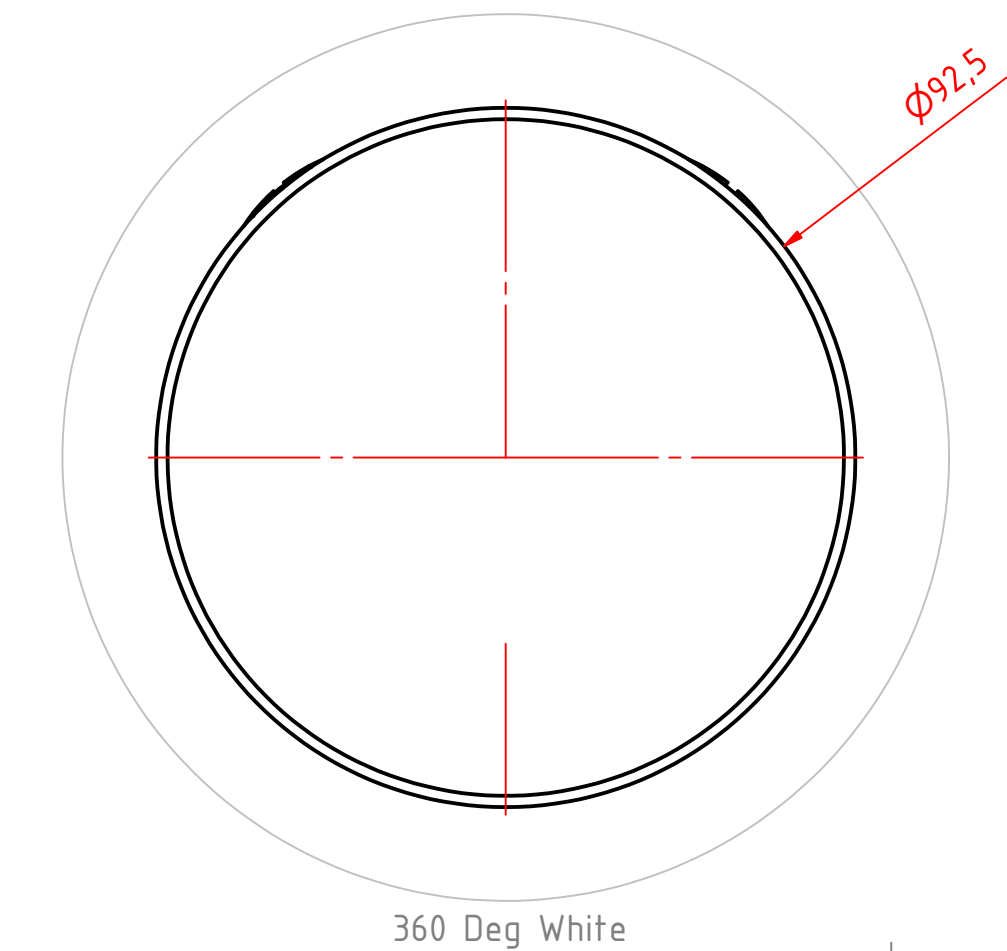
This Drawing, and the information within, is the property of Lopolight ApS and may not be used in any form without express permission there from. Lopolight reserves the right to change this drawing and assumes no liability for the information communicated herein. Use of dimensions and other information in this drawing is at the users own risk.



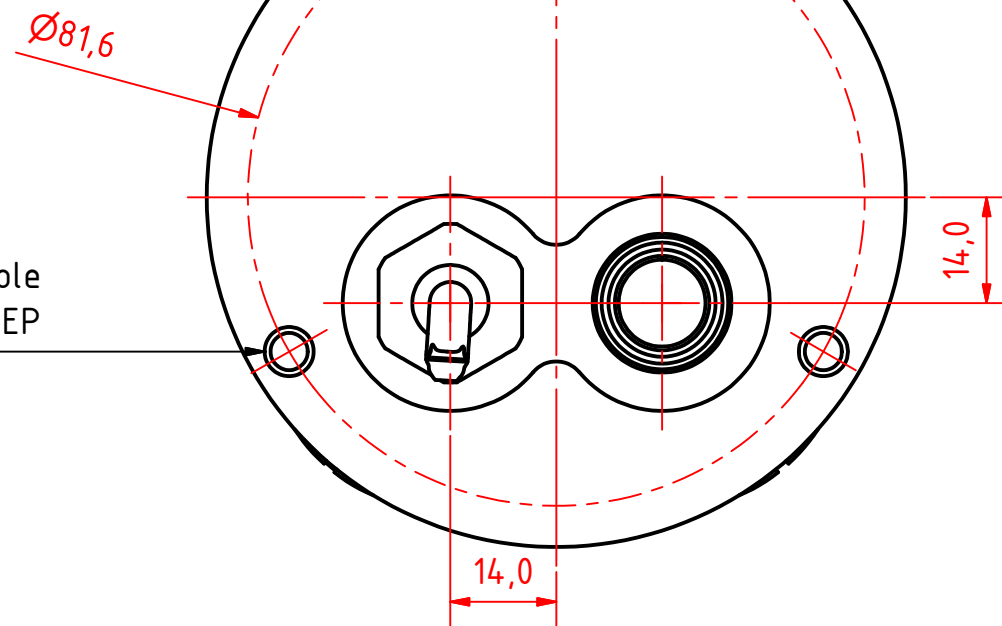
A B C D E F G H I J



B ( 1 : 1 )



Mounting Hole  
M6x1 - 10,0mm DEEP



Rev1 19/04/2018 Corrections on the title blocks text.

300-112, 3nm, 360 Deg. White, 400-034 Promount, Cable Down.			
DRAWING NO.: 300-112CF	REV. NO.: 1	SIZE: A3	DRAWN BY: Sergio
SCALE: 1:1	TOLERANCES: DS/ISO 2768-f	REVIEWED BY: JM	CREATION DATE: 28-03-2017
MATERIAL DESCRIPTION: Alu EN 6082, Acrylic, PE			
<small>(20µ) Silver anodized according to EN ISO 7599 (50µ) Black anodized according to MIL-A 8625F</small>			

**LOPOLIGHT**

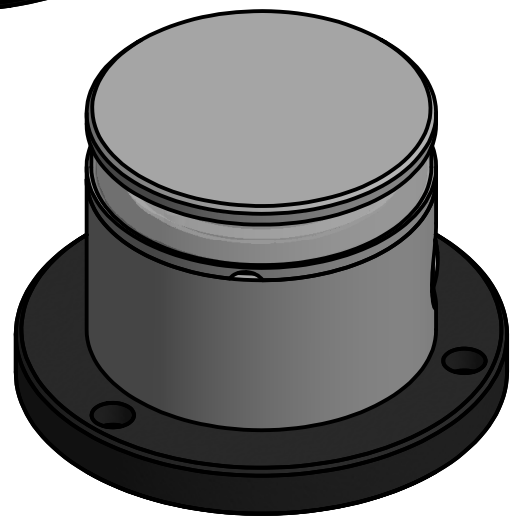
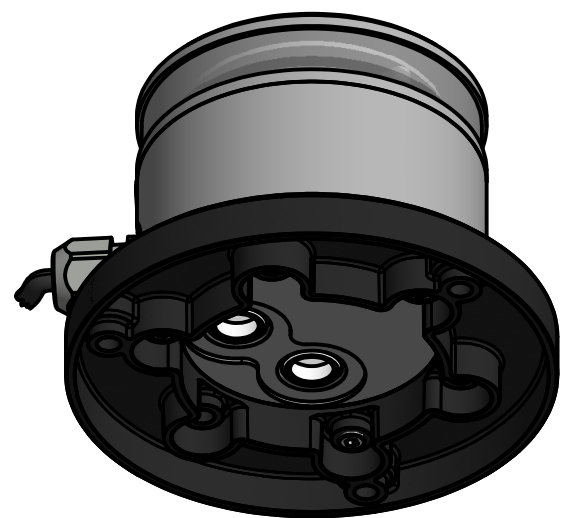
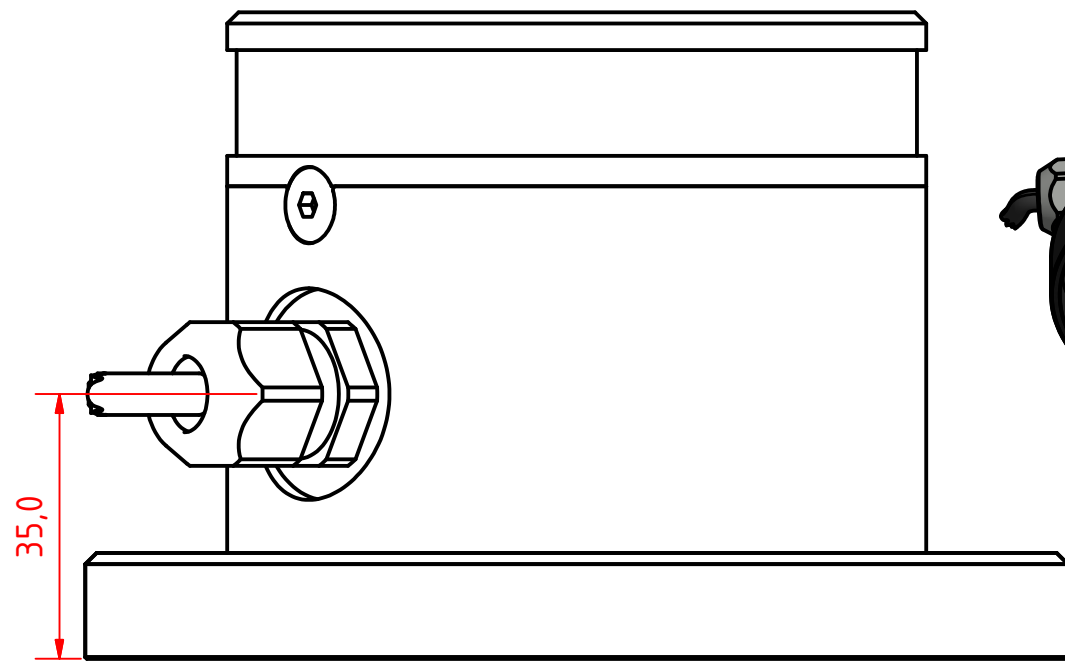
Lopolight ApS  
Bakkegaardsvej 513  
DK-3050, Humlebaek  
Denmark

www.lopolight.com

Tel:(+45) 32 48 50 30 Fax:(+45) 32 48 50 32  
info@lopolight.com

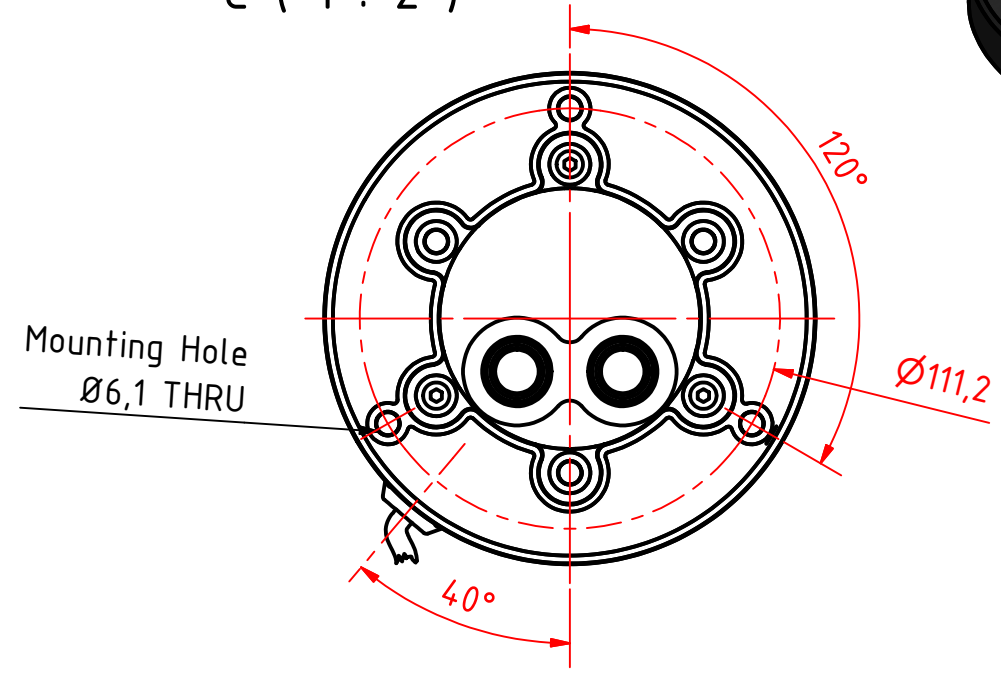
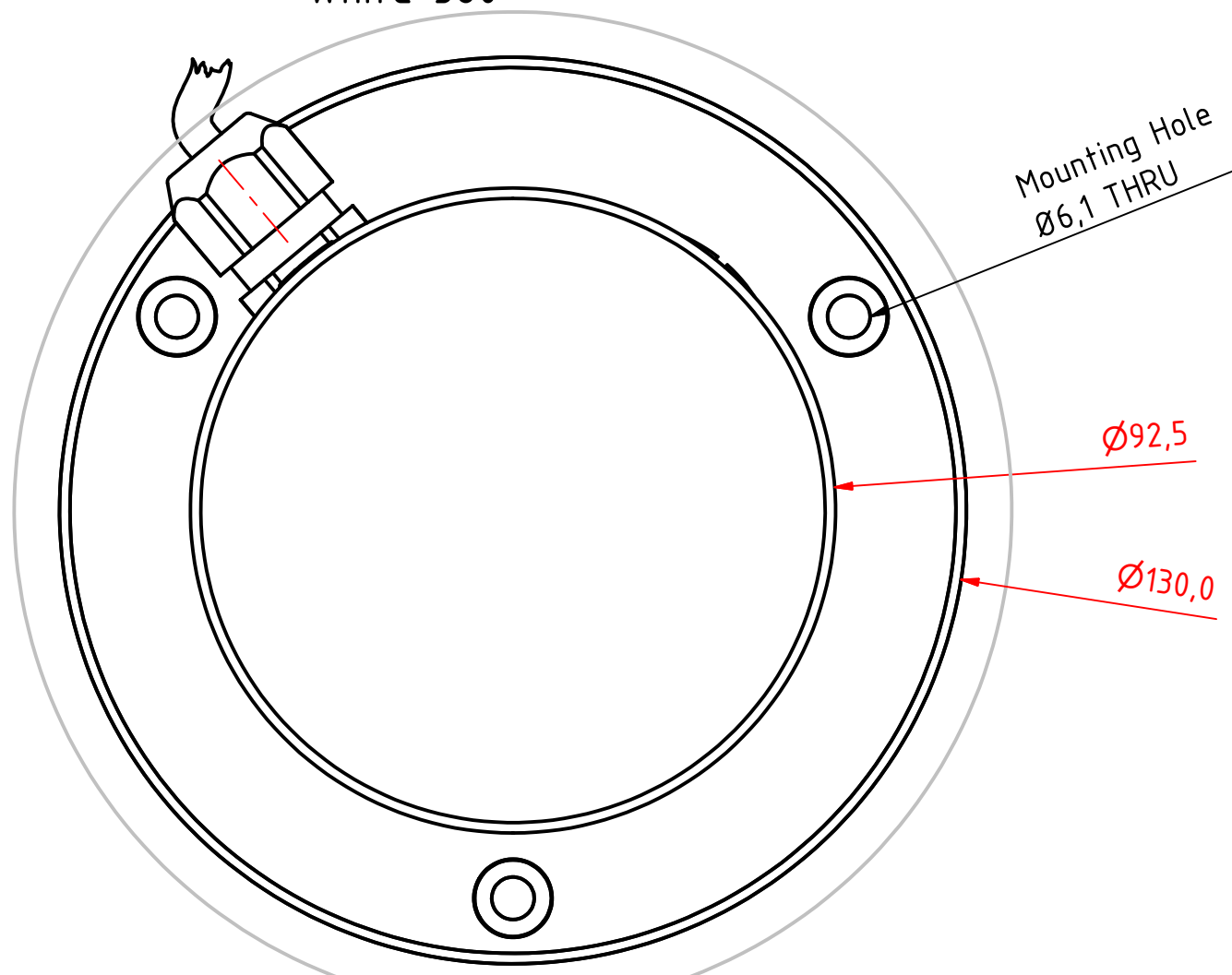
This Drawing, and the information within, is the property of Lopolight ApS and may not be used in any form without express permission there from. Lopolight reserves the right to change this drawing and assumes no liability for the information communicated herein. Use of dimensions and other information in this drawing is at the users own risk.

50MM AT A3



White 360

C ( 1 : 2 )



Rev1 19/04/2018 Corrections on the title blocks text.

300-112, 3nm, 360 Deg. White, 400-034  
Promount,400-404 PE Base Plate, Cable  
Side.

DRAWING NO.:	REV. NO.:	SIZE:	DRAWN BY:
300-112DF	1	A3	Sergio

SCALE:	TOLERANCES:	REVIEWED BY:	CREATION DATE:
1:1	DS/ISO 2768-f		28-03-2017

MATERIAL DESCRIPTION: (20µ) Silver anodized according to EN ISO 7599  
Alu EN 6082, Acrylic, PE (50µ) Black anodized according to MIL-A 8625F

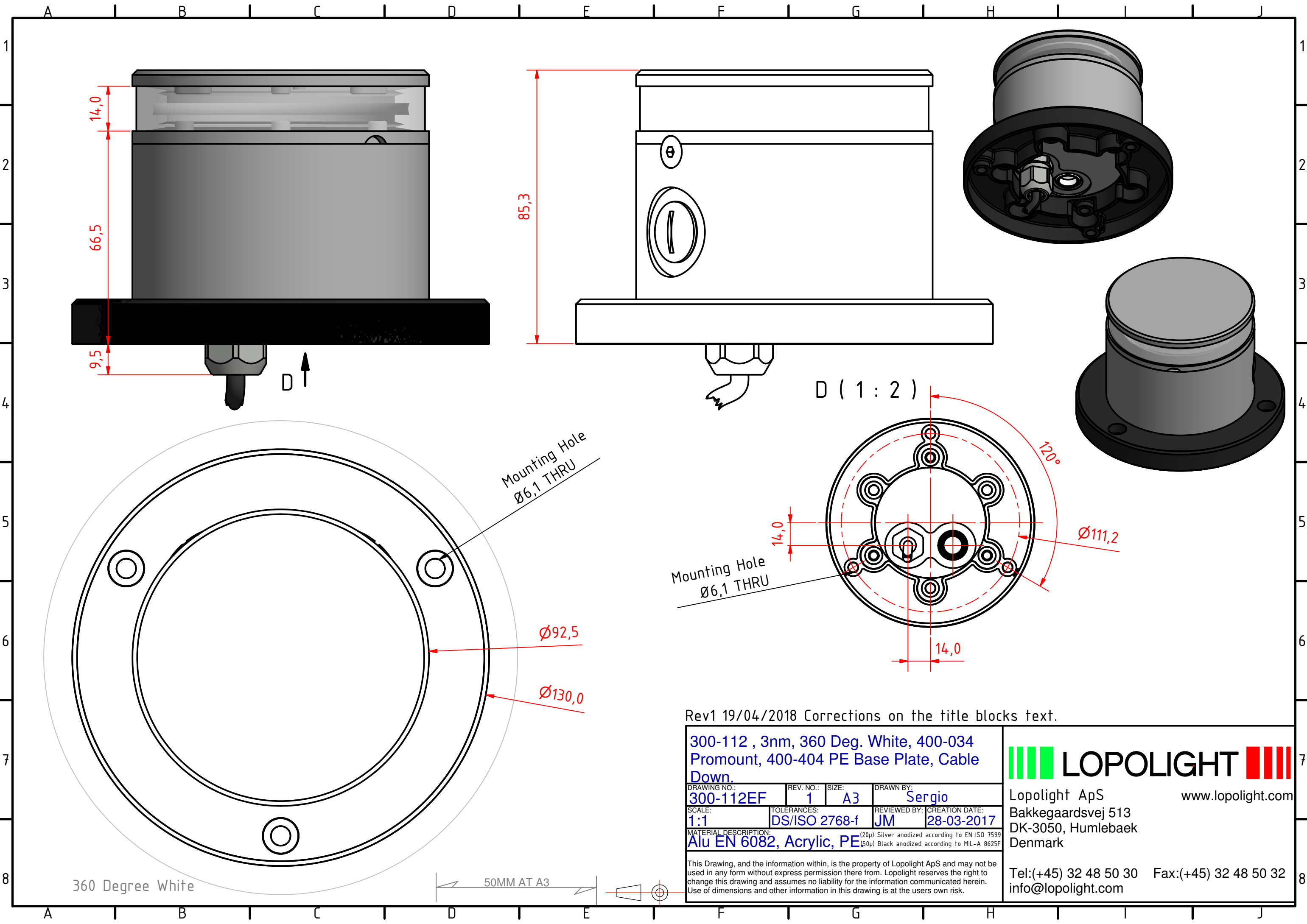
This Drawing, and the information within, is the property of Lopolight ApS and may not be used in any form without express permission there from. Lopolight reserves the right to change this drawing and assumes no liability for the information communicated herein. Use of dimensions and other information in this drawing is at the users own risk.



Lopolight ApS  
Bakkegaardsvej 513  
DK-3050, Humlebaek  
Denmark

Tel:(+45) 32 48 50 30 Fax:(+45) 32 48 50 32  
info@lopolight.com

50MM AT A3



360 Degree White

50MM AT A3

Rev1 19/04/2018 Corrections on the title blocks text.

300-112 , 3nm, 360 Deg. White, 400-034			
Promount, 400-404 PE Base Plate, Cable			
Down.			
DRAWING NO.:	REV. NO.:	SIZE:	DRAWN BY:
300-112EF	1	A3	Sergio
SCALE:	TOLERANCES:	REVIEWED BY:	CREATION DATE:
1:1	DS/ISO 2768-f	JM	28-03-2017
MATERIAL DESCRIPTION:			
Alu EN 6082, Acrylic, PE (20µ) Silver anodized according to EN ISO 7599 (50µ) Black anodized according to MIL-A 8625F			

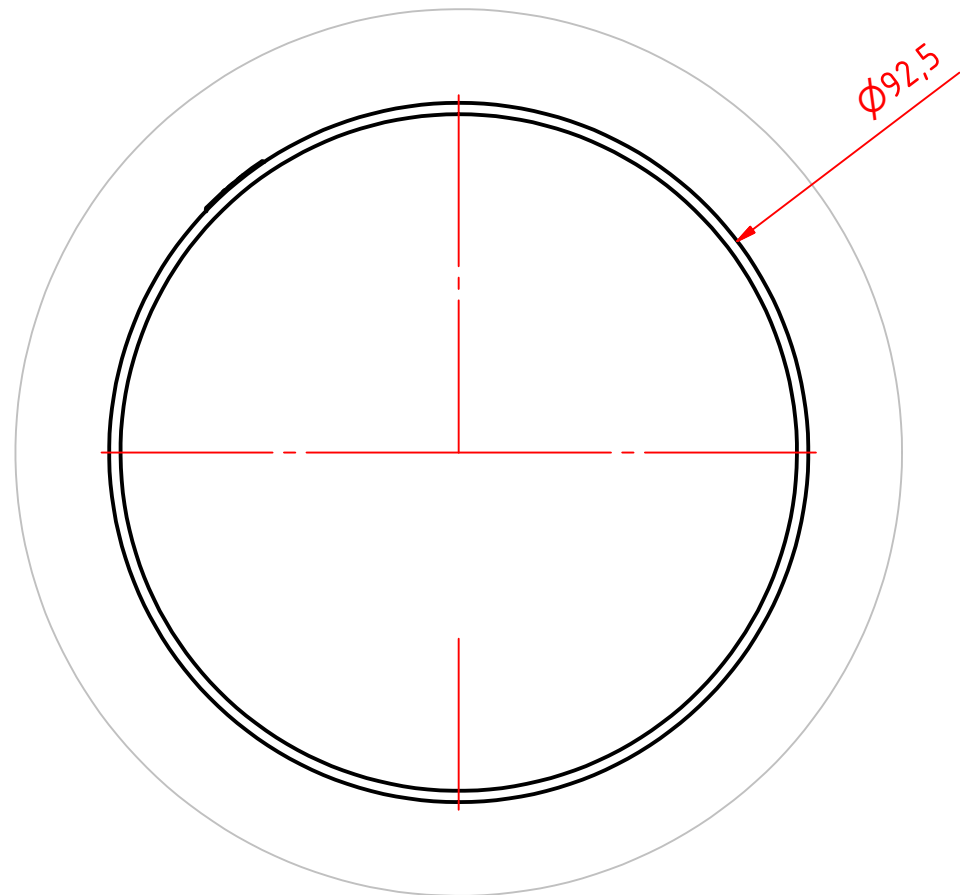
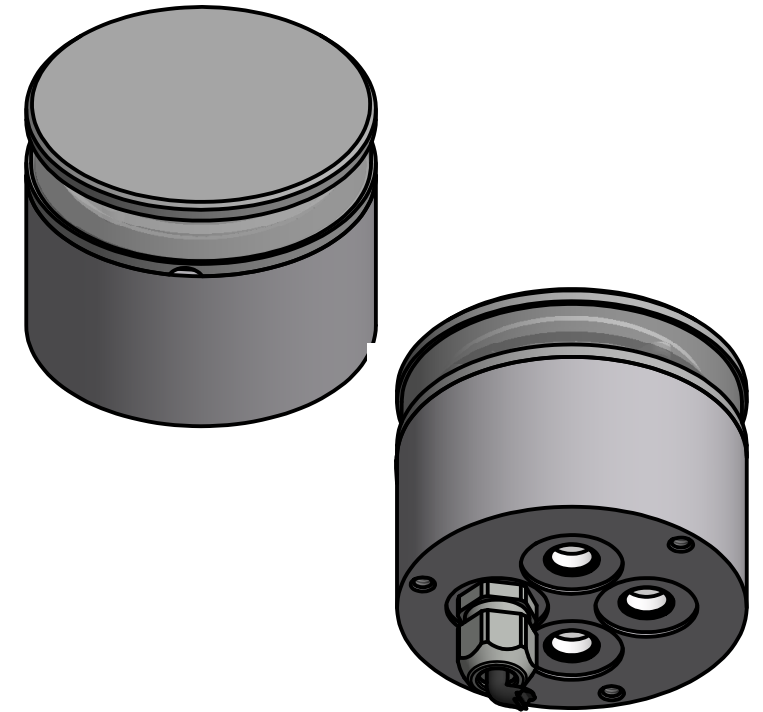
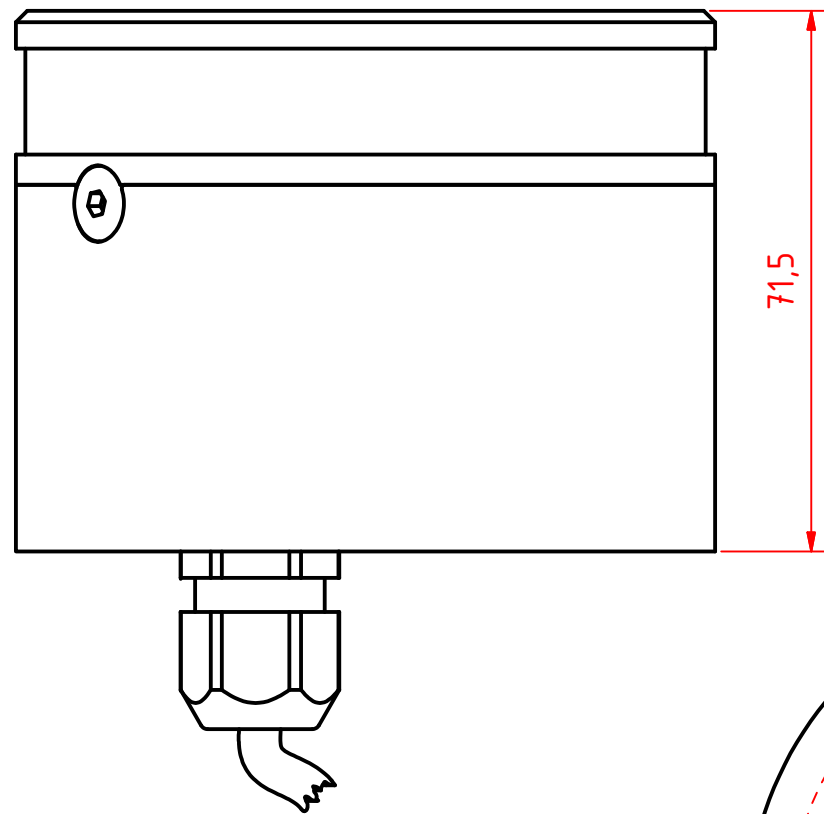
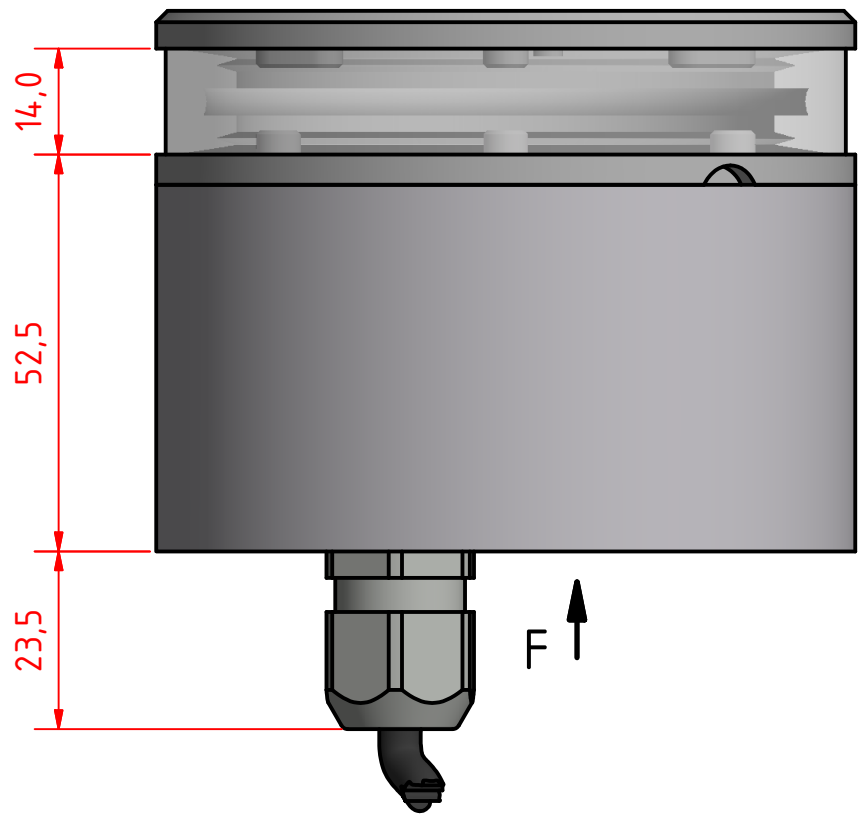
This Drawing, and the information within, is the property of Lopolight ApS and may not be used in any form without express permission there from. Lopolight reserves the right to change this drawing and assumes no liability for the information communicated herein. Use of dimensions and other information in this drawing is at the users own risk.



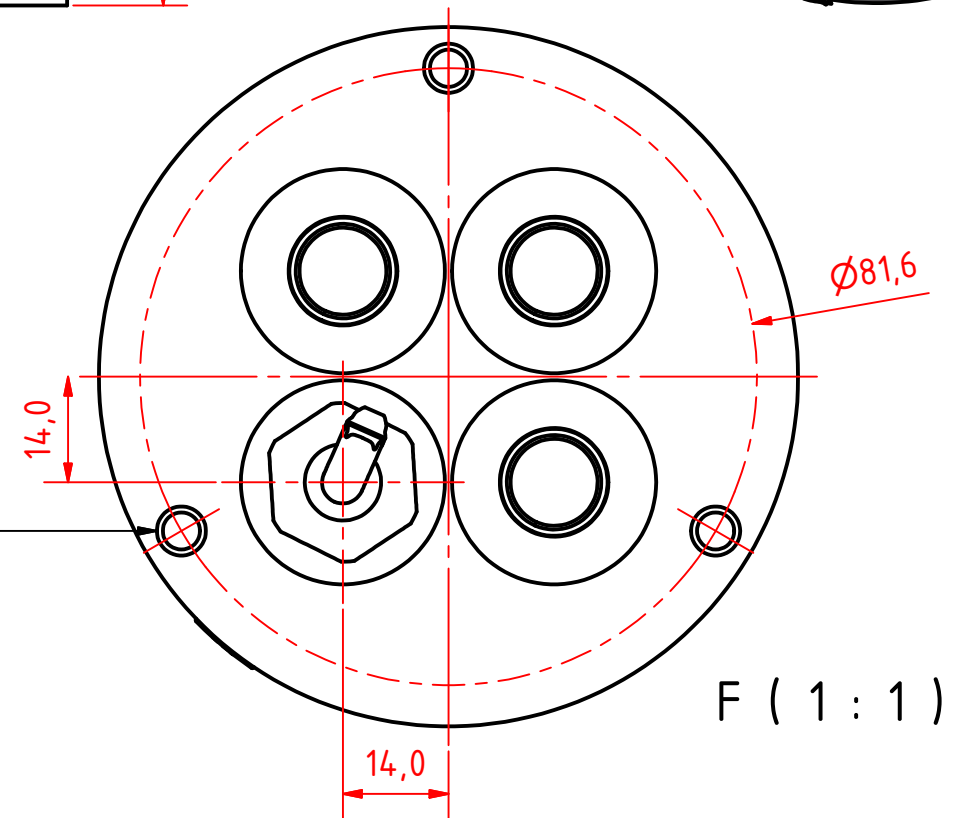
Lopolight ApS  
 Bakkegaardsvej 513  
 DK-3050, Humlebaek  
 Denmark

Tel:(+45) 32 48 50 30 Fax:(+45) 32 48 50 32  
 info@lopolight.com

www.lopolight.com



Mounting Hole  
M6x1 - 8,0mm DEEP



F ( 1 : 1 )

Rev1 19/04/2018 Corrections on the title blocks text.

300-112, 3nm, 360 Deg. White, 400-035  
Promount, Cable Down.

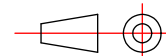
DRAWING NO.:	REV. NO.:	SIZE:	DRAWN BY:
300-112FF	1	A3	Sergio
SCALE:	TOLERANCES:	REVIEWED BY:	CREATION DATE:
1:1	DS/ISO 2768-f		28-03-2017
MATERIAL DESCRIPTION:		(20µ) Silver anodized according to EN ISO 7599 (50µ) Black anodized according to MIL-A 8625F	
Alu EN 6082, Acrylic.			

**LOPOLIGHT**

Lopolight ApS  
Bakkegaardsvej 513  
DK-3050, Humlebaek  
Denmark

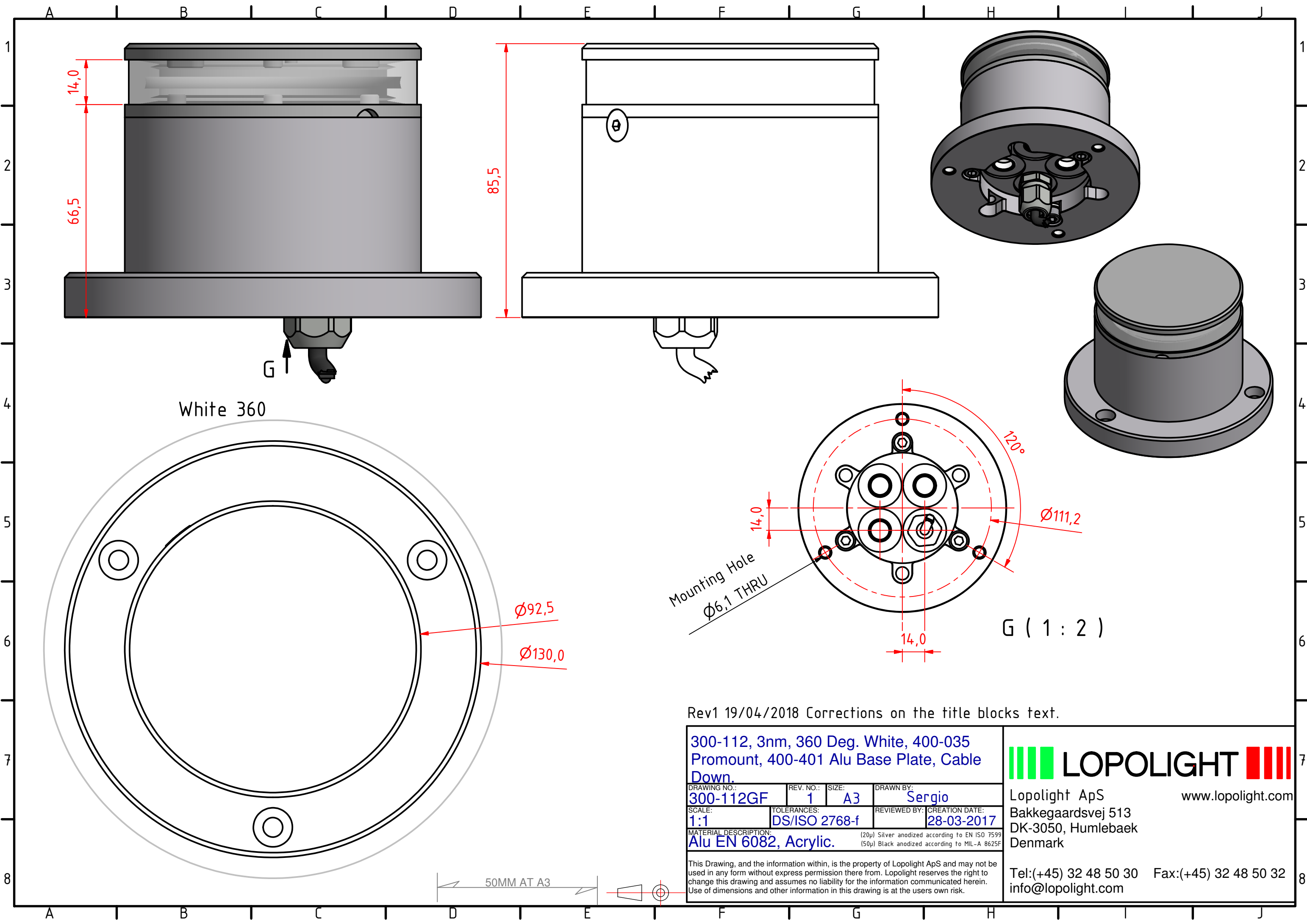
Tel:(+45) 32 48 50 30 Fax:(+45) 32 48 50 32  
info@lopolight.com

50MM AT A3



This Drawing, and the information within, is the property of Lopolight ApS and may not be used in any form without express permission there from. Lopolight reserves the right to change this drawing and assumes no liability for the information communicated herein. Use of dimensions and other information in this drawing is at the users own risk.





White 360

Mounting Hole  
Ø6,1 THRU

G ( 1 : 2 )

Rev1 19/04/2018 Corrections on the title blocks text.

300-112, 3nm, 360 Deg. White, 400-035 Promount, 400-401 Alu Base Plate, Cable Down.			
DRAWING NO.:	REV. NO.:	SIZE:	DRAWN BY:
300-112GF	1	A3	Sergio
SCALE:	TOLERANCES:	REVIEWED BY:	CREATION DATE:
1:1	DS/ISO 2768-f		28-03-2017
MATERIAL DESCRIPTION:		(20µ) Silver anodized according to EN ISO 7599 (50µ) Black anodized according to MIL-A 8625F	
Alu EN 6082, Acrylic.			

**LOPOLIGHT**

Lopolight ApS  
Bakkegaardsvej 513  
DK-3050, Humlebaek  
Denmark

Tel:(+45) 32 48 50 30 Fax:(+45) 32 48 50 32  
info@lopolight.com

This Drawing, and the information within, is the property of Lopolight ApS and may not be used in any form without express permission there from. Lopolight reserves the right to change this drawing and assumes no liability for the information communicated herein. Use of dimensions and other information in this drawing is at the users own risk.

50MM AT A3